

MONITORING AND SAFETY SYSTEM PACKAGE

The Cloud Connect Advanced (CCA) is a compact and powerful data logger, and the communication hub of the Tigo TS4 platform. It powers the monitoring and safety capabilities of Tigo smart modules.

CONNECTIVITY

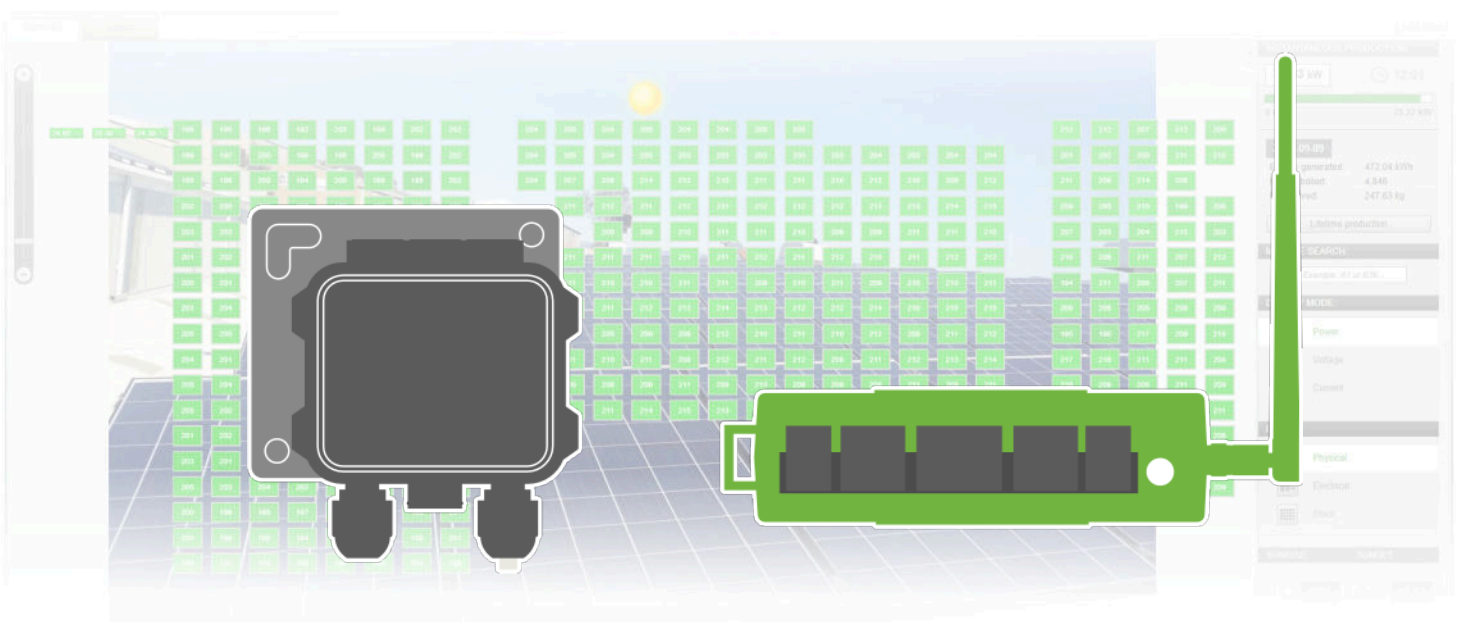
View module-level monitoring data through the Tigo cloud and quickly commission new installations with the Tigo SMART app for Android and iOS.

PROTECTION

An IP65-rated enclosure is available for outdoor installations. Install the CCA on the included DIN rail with room to spare for cables and even a revenue-grade AC meter.

INSTALLATION OPTIONS

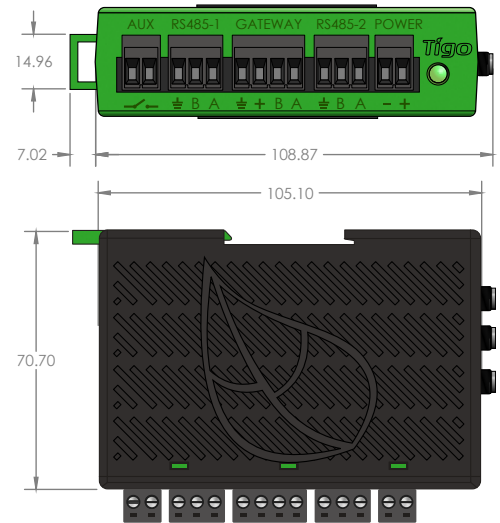
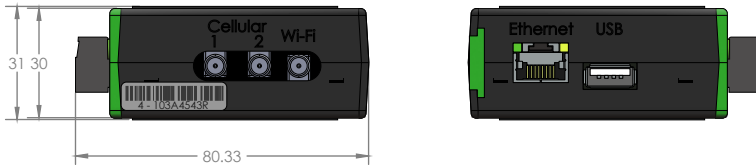
The CCA can be installed either indoors or outdoors. Select a DIN rail power supply or standard outlet power supply.



CLOUD CONNECT ADVANCED (CCA)

COMPACT DATA LOGGER

- Collect data from up to 900 TS4 units
- Supports wired and wireless networks
- Control monitoring and safety features
- Configure and commission with Tigo SMART app
- Monitor 3rd party devices via Modbus



All dimensions in mm

Mechanical Specifications

Dimensions (CCA only): 31mm x 115.51mm x 71.54mm

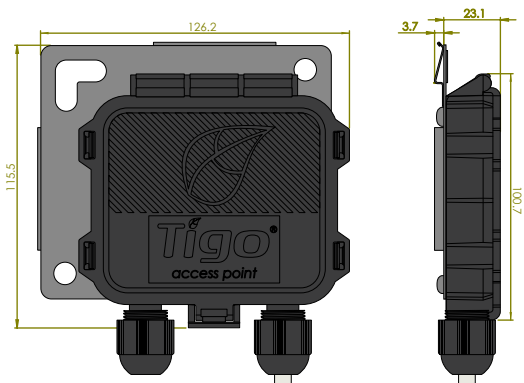
Weight (CCA only): 126g

Operating Temperature Range (CCA only): -20°C to +70°C (-4°F to +158°F)

Cooling: Natural Convection

Environmental rating: IP68, Type 4R (in outdoor enclosure)

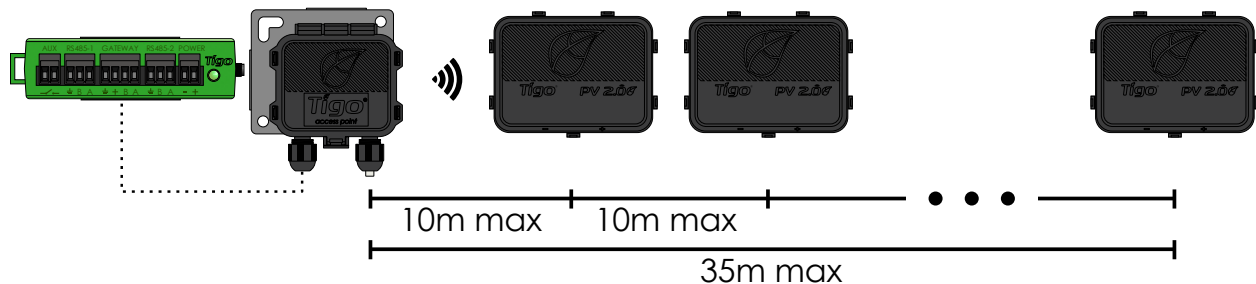
TIGO ACCESS POINT (TAP)



All dimensions in mm

WIRELESS ACCESS POINT

- Collect data from up to 300 TS4 units
- Wireless mesh communication
- High definition sampling rate
- Scalable architecture
- Mounts easily on module frame without tools



Mechanical Specifications

Dimensions: 126.2mm x 130.0mm x 26.8mm (with bracket)

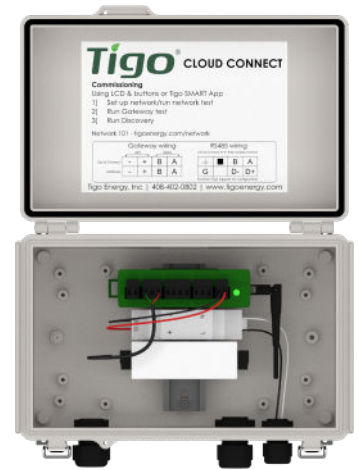
Weight: 227g (0.5lbs)

Operating temperature range: -20°C to +85°C (-4°F to 185°F)

Environmental rating: IP68, Type 4R

ALWAYS CONNECTED

- Compact, DIN rail mountable
- Supports wired and wireless networks
- Connects to 3rd party devices via Modbus
- Android/iOS app for monitoring and commissioning
- Controls rapid shutdown for Tigo TS4 units
- IP68, Type 4 rated outdoor enclosure



Pictured: CCA with DIN rail PSU and optional revenue-grade meter

Electrical

Cloud Connect Advanced (CCA)

Input Voltage: 10V_{DC} - 25V_{DC}

Power Consumption: 3W - 7W

Power Supply

Input Voltage: 100V_{AC} - 240V_{AC}

Capacity

Each CCA supports up to 900 TS4 units and up to 7 TAPs

Each TAP supports up to 300 TS4 units up to 115ft (35m) away

Mechanical Specifications

Dimensions (outdoor enclosure): 115mm x 278.4mm x 203mm

Weight (CCA in enclosure with power supply): 1.1kg

Operating Temperature Range (CCA only): -20°C to +70°C (-4°F to +158°F)

Cooling: Natural Convection

Environmental rating: IP68, Type 4R (in outdoor enclosure)

User Interface

Mobile App: Tigo SMART App for Android and iOS

<http://bit.ly/2AU7B9S>

Multi-function LED status indicator

<http://bit.ly/2kp912e>

ORDERING OPTIONS

CCA kit with TAP, DIN rail power supply, outdoor enclosure

CCA kit with TAP, outlet power supply, outdoor enclosure

CCA kit with TAP, DIN rail power supply

CCA kit with TAP, outlet power supply

CCA, DIN rail power supply, outdoor enclosure

Cellular option for CCA

Extended warranty for CCA (+5 years)

For more information on Tigo products:
www.tigoenergy.com/products

For technical information:
<http://support.tigoenergy.com>

For additional info and product selection assistance, use Tigo's online design tool at www.tigoenergy.com/design

